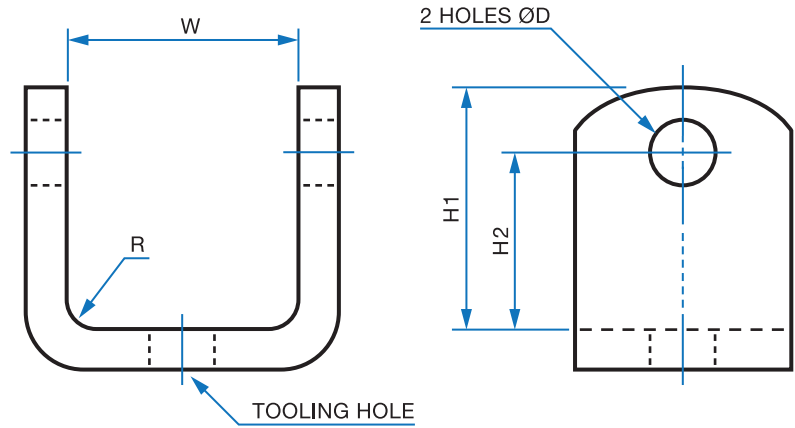




U BRACKETS

(Bare / black ungalvanized)



Code	W Width Inside	H1 Height Inside	D Hole Diameter	H2 Hole Height Inside	R Corner Radius	End Shape	Material Section
3668	25.0	45.5	13.0	30.5	6	R30	40 x 6
2980	32.0	34	13.0	19	3	R20	32 x 3
3753	38.0	40.5	13.0	25.5	6	R30	40 x 6
3517	40.5	39	13.0	24	6	R30	40 x 6
3017	43.0	38	13.0	23	6	R30	40 x 6
3513	43.0	44	17.0	26	5	R30	40 x 6
2067	45.0	43.5	16.0	25	5	R30	40 x 6
3679	45.0	43	13.0	28	6	R30	40 x 6
7254	45.0	43	11.0	30	6	R30	40 x 6
2310	50.0	155	16.0	133	10	R40	50 x 10
2066	51.5	40	16.0	22	6	R30	40 x 6
3515	51.5	40	17.0	22	5	R30	40 x 6
3516	51.5	40	17.0	22	5	R30	32 x 6
3521	51.5	60	17.0	42	5	R30	40 x 6
3156	55.0	110	13.0	90	10	R30	40 x 6
3223	70.0	100	13.0	85	6	R30	40 x 5
3239	70.0	100	13.0	85	6	R30	40 x 8
2887	82.0	60	17.0	60	5	R30	40 x 5
3495	86.0	49	17.0	49	6	R30	40 x 6
2888	92.0	69	17.0	49	6	R30	40 x 6
3310	95.0	140	17.0	125	6	R30	50 x 6
2074	97.0	77	14.0	63	5	R30	40 x 6
2543	100.0	165	13.0	145	10	R40	50 x 10
2974	100.0	120.5	11.0	105.5	5	R22	25 x 5
2881.13	100.0	162	13.0	140	6	R30	50 x 6
2881.17	100.0	162	17.0	140	6	R30	50 x 6
2922	108.0	65	17.0	45	6	R30	40 x 6
3262	110.0	200	25.0	175	10	R40	50 x 10
3135	140.0	250	26.0	220	12	R70	60 x 12
2938	145.0	70	17.0	50	6	R30	40 x 8
2103	146.0	70	14.0	50	6	R40	50 x 6
2985	192.0	70	17.0	50	6	R30	40 x 8
2923	210.0	65	17.0	45	6	R30	40 x 8